

# CoaXPRESS 2.0 Quad/Octo Connection Host FMC

## FMC-CXP-12G Host Microchip

FPGA Mezzanine Card

PRODUCT BRIEF

The EASii-IC CoaXPRESS Host FMC Board is a 4-connection, stackable to 8-connection, single-width board, compatible with the ANSI/VITA 57.1 FPGA Mezzanine Card (FMC) standard. Each board provides 4 host ports compliant with the CoaXPRESS 2.0 and 1.1.1 standards operating at up to 12.5 Gbps. Two boards can be stacked to provide up to 8 ports.

### ABOUT COAXPRESS

CoaXPRESS standard defines a cost effective and easy interfacing between video devices and acquisition hardware over RG59 and RG6 coaxial cables. It enables hot-plug of devices and 24V power-over-cable with up to 13 Watts per cable.

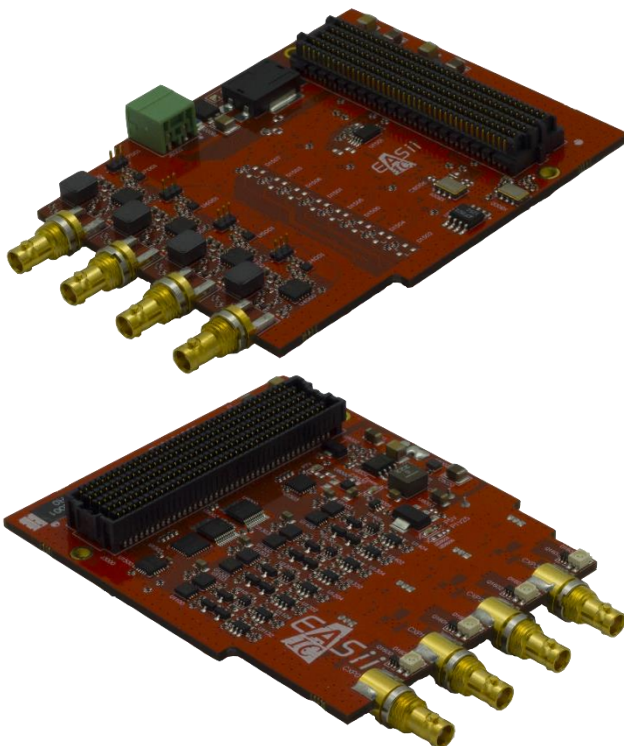
A device can support multiple cameras of many video stream formats. Video streams are sent to a host at a selectable high-speed downlink connection rate from 1.25 Gbps to 12.5 Gbps per cable, with up to 8 cables per device to increase the total bandwidth to 100 Gbps.

Device and cameras can be controlled from a host through the uplink connection at 41.66 Mbps. The standard also provides a low latency, accurate trigger interface between device and host.

CoaXPRESS supports GenICam international standard, providing a generic programming interface for all kinds of cameras regardless of the interface technology.

### EASII-IC CXP 2.0 HOST FMC USAGE

- Prototyping



### EASII-IC CXP 2.0 HOST FMC FEATURES

- J11A CXP-001-2019 CoaXPRESS 2.0 compliant & J11A CXP-001-2015 CoaXPRESS 1.1.1 compliant
- ANSI/VITA 57.1 FPGA Mezzanine Card compliant
- 4 coaxial 75 ohms HD-BNC connectors
- providing 4 CoaXPRESS device connections
- at operating bit-rates from 1.25 Gbps to 12.5 Gbps
- 1 Samtec FMC HPC connector
- for connection with the carrier board
- FPGA targets: Xilinx, Intel, Microsemi
- Xilinx 7-series/Zynq, UltraScale, Ultrascale+/MPSoc;
- Intel V-series, 10-series;
- Microsemi Polarfire
- Stackable to provide up to 8 host ports
- through a 2nd Samtec FMC HPC connector

### PRODUCT DETAILS

- Dimensions: 84.00 mm x 69.00 mm
- Number of layers: 8 layers
- Board thickness: 1.6 mm
- Coaxial cable driver: MICROCHIP EQCO125X40
- Coaxial connectors: HD-BNC  
Amphenol 034-1018-12G
- FMC main connector: Samtec ASP-134488-01
- FMC extender connector: Samtec ASP-134486-01
- LEDs: red/green bicolor Power,  
Connections, PoCXP
- Input power source: 12V from carrier or  
12-24V from connector

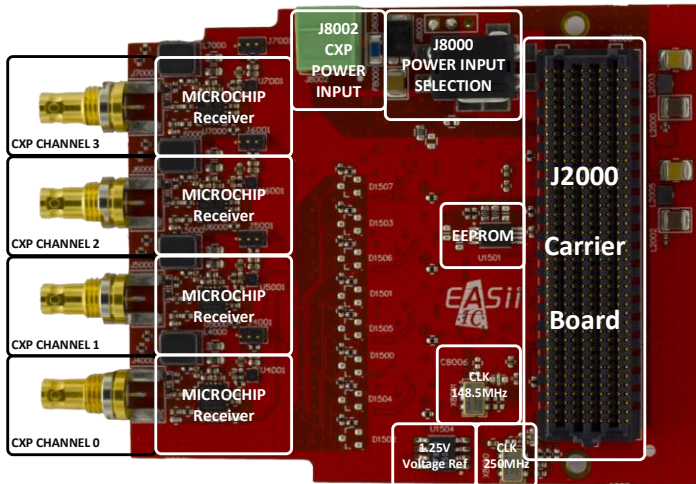
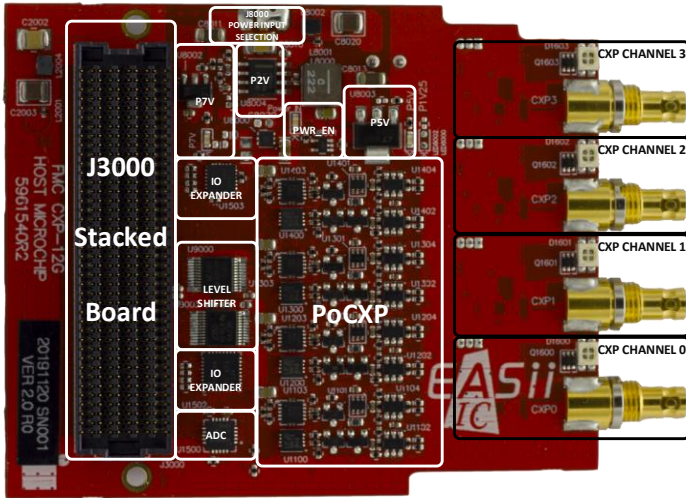
### EASII-IC CXP 2.0 HOST FMC DELIVERABLES

- FMC Board
- Reference Designs based on EASii-IC CXP 2.0 Host IP
- User Manual

# CoaXPress 2.0 Quad/Octo Connection Host FMC

FMC-CXP-12G Host Microchip  
FPGA Mezzanine Card

EASII-IC CXP HOST FMC BOARD



## CONTACT US

For more information on EASii-IC CoaXPress products, technical support or ordering:

Phone : +33 456 580 580  
 Fax : +33 456 580 599  
 E-mail : coaexpress@easii-ic.com

## Corporate Information

EASii IC SAS  
 Headquarters : 90, avenue Leon Blum · FR-38100 Grenoble · France  
 Share capital : 1 000 000 €  
 RCS Grenoble 389 019 274 – APE 6202A  
 Intracommunity VAT number : FR06389019274

