

CoaXPress2 Multi-Link Multi-Stream Device IP

Videostreaming at up to 100 Gbps

Xilinx & Intel FPGA Core IP

PRODUCT BRIEF

CoaXPress2 Device IP from EASii-IC enables the transmission of video streams from multiple cameras on single or multiple coaxial cables at a maximum transfer rate of 100 Gbps over 40 meters or at a maximum transfer rate of 20 Gbps over 200 meters. Each coaxial cable provides a high-speed downlink connection video transfer rate from 1.25 Gbps to 12.5 Gbps and a low-speed uplink connection at 41.66 Mbps for communication and control.

ABOUT COAXPRESS

CoaXPress standard defines a cost effective and easy interfacing between video devices and acquisition hardware over RG59 and RG6 coaxial cables. It enables hot-plug of devices and 24V power-over-cable with up to 13 Watts per cable.

A device can support multiple cameras of many video stream formats. Video streams are sent to a host at a selectable high-speed downlink connection rate from 1.25 Gbps to 12.5 Gbps per cable, with up to 8 cables per device to increase the total bandwidth to 100 Gbps.

Device and cameras can be controlled from a host through the uplink connection at 41.66 Mbps. The standard also provides a low latency, accurate trigger interface between device and host.

CoaXPress supports GenICam international standard, providing a generic programming interface for all kinds of cameras regardless of the interface technology.

EASii IC CXP DEVICE CORE IP FEATURES

- JIAA CXP-001-2018 CoaXPress 2.0 compliant
- **Selectable downlink connection rates**, from 1.25 Gbps to 12.5 Gbps, up to 8 coaxial connections per Device IP
- **Supports multiple video-streams**, up to 256 independent stream IDs
- **Supports all GenICam compliant image formats**: rectangular and arbitrary shaped, area and line scan, single and multi tap, multiple regions of interest, all standard pixel formats
- **Trigger in/out level type and pulse type interfaces** with maximum jitter of 8 ns and constant uplink latency of 1.7 μ s or 3.4 μ s
- **Event messages** from device to host
- **Heartbeat** for time clock transmission from device to host
- **AXI4-lite slave processor interface** for application specific control between host and cameras (optional)
- **Up to 4 AXI4-stream slave interfaces** for video streams, 32/64/128/256-bit data bus
- **Xilinx 7-Series/UltraScale compatible, Intel 10-Series compatible, IP-XACT support**

APPLICATIONS AND DOMAINS

Vision systems requiring

- High-resolution and high-speed digital cameras
- Real-time image acquisition
- Pixels on target
- Long distance cables with excellent EMI/EMC performance

Domains

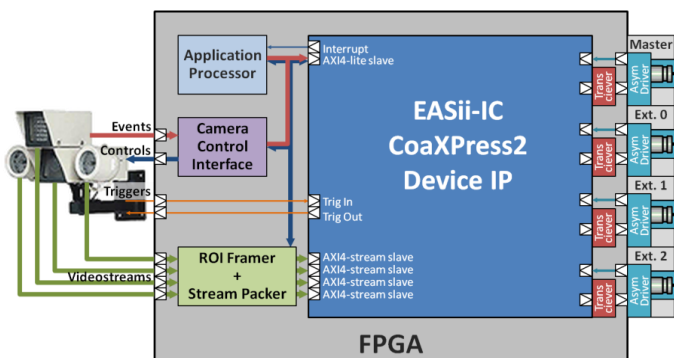
- Machine vision
- Military and aerospace
- Aerial mapping and traffic management
- Security

PRODUCT DETAILS

- Master connection with up to 7 extension connections connected to a single host
- Embedded connection management: sync, init, soft-reset
- Dynamic reconfiguration: bit-rate, number of connections
- Embedded CRC management and error correction
- Video-stream data packet size up to 4096 bytes
- Up to 4 video-stream interfaces AXI-stream slave, 32/64/128/256-bit per interface, running at up to 200 MHz (independent from system-clock)
- Embedded management of triggers
- Processor interface to send application specific event messages from device to host
- Embedded management of heartbeat
- Embedded bootstrap registers
- μ Processor interface AXI4-lite slave 32-bit

TYPICAL USE CASE

EASii-IC Device Core IP can be embedded in a Xilinx 7 FPGA with its application processor, camera control interface and pixel stream packer.



DELIVERABLES

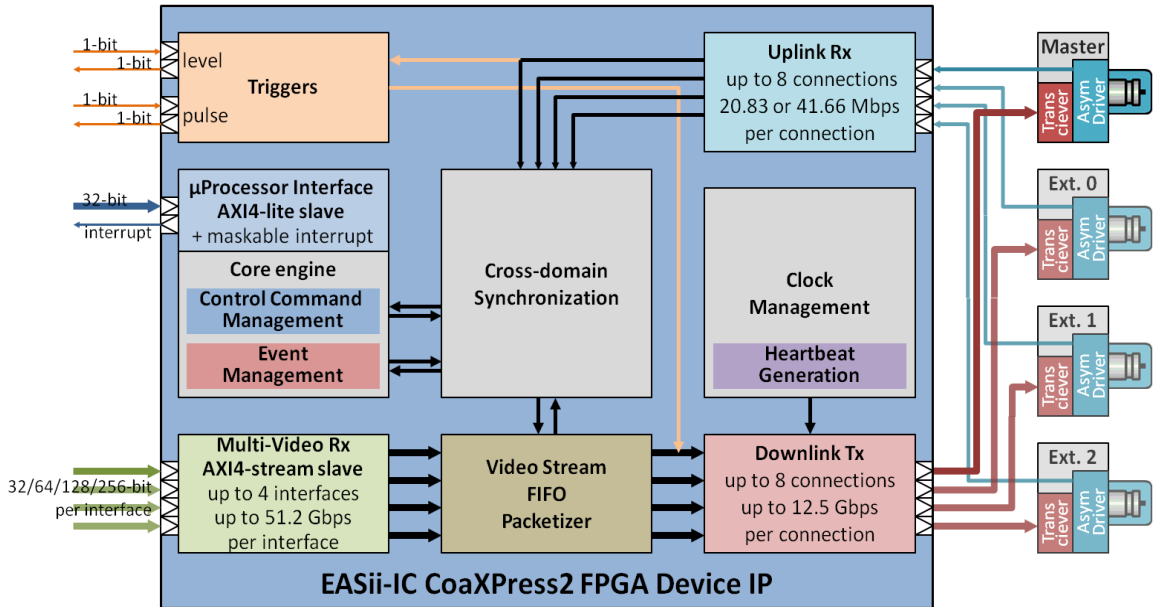
- Single or multi-use license
- Encrypted source code: VHDL RTL with synthesis scripts for Xilinx Vivado or Intel Quartus
- Comprehensive documentation package: specification, integration, IP-XACT component, etc.
- Integration test-suite

CoaXPress2 Multi-Link Multi-Stream Device IP

Videostreaming at up to 100 Gbps

Xilinx & Intel FPGA Core IP

CORE IP ARCHITECTURE



CONTACT US

For more information on EASii-IC CoaXPress products, technical support or ordering:

Phone : +33 456 580 580

Fax : +33 456 580 599

E-mail : coaXpress@easii-ic.com

Corporate Information

EASii IC SAS

Headquarters : 90, avenue Leon Blum · FR-38100 Grenoble · France

Share capital : 1 000 000 €

RCS Grenoble 389 019 274 – APE 6202A

Intracommunity VAT number : FR06389019274

